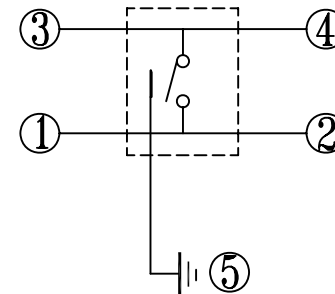
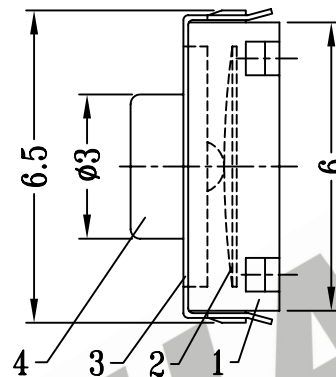
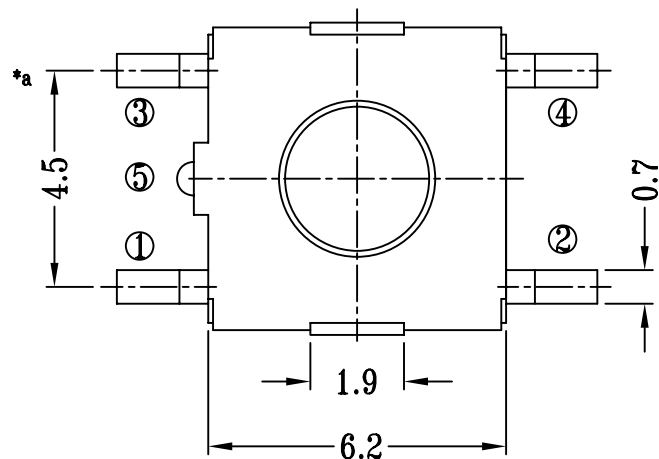
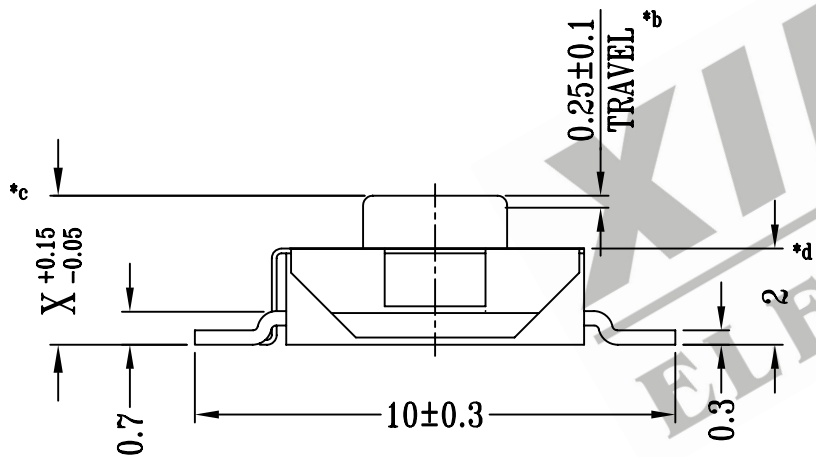


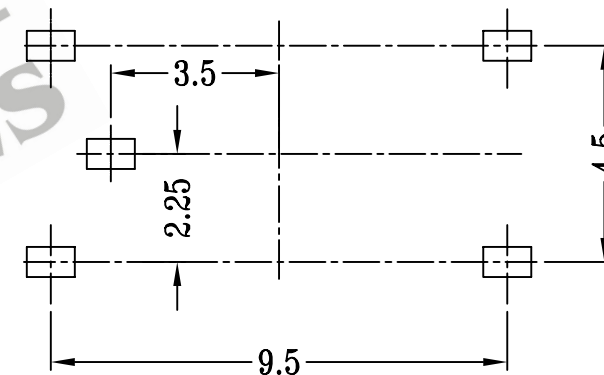
CAD FILE:



SCHMATIC



TD27XB	2.5
TD27XA	3.1
MODEL NO.	X



P.C.B LAYOUT

注:带"*"表示关键尺寸(4个)

8					TOLERANCE UNLESS SPECIFIED	SHENZHEN XIEJIA ELECTRONICS CO.,LTD.				
7										
6					WITHIN: 1.5±0.1mm OVER: 1.5±0.2mm	ISSUE	DATE	DESCRIPTIONS OF REVISION		APPD.
5										
4	KNOB	NYLON	1	RED	TITLE : TACT SWITCH		UNIT : mm	DRWG NO.: XJ-DR-TD27XB-00		
3	COVER	SUS	1	WASHING						
2	CONTACT	PBS	1	Ag CLAD	MODEL: TD-27XB(XA)		SCALE: 1:1	DWN.	ZHOUYU	2003-10-30
1	CASE	NYLON+F.G/BRASS STRIP	1	BLACK/Ag PLATED OVER Ni PLATED				CHK'D	FANGYING	2003-10-30
NO.	PARTS	MATERIALS	Q'TY	FINISH	ALL MATERIALS MUST BE COMPLIANT TO ROHS			APPD.	KANGXINAN	2003-10-30